

STEPS SHALL BE COPOLYMER  
POLYPROPYLENE PLASTIC WITH  
A CONTINUOUS 1/2-INCH  
STEEL REINFORCEMENT AS  
MANUFACTURED BY M.A.  
INDUSTRIES, INC., OR APPROVED EQUAL

CONCRETE SECTIONS  
AND BOTTOM PER  
ASTM C478

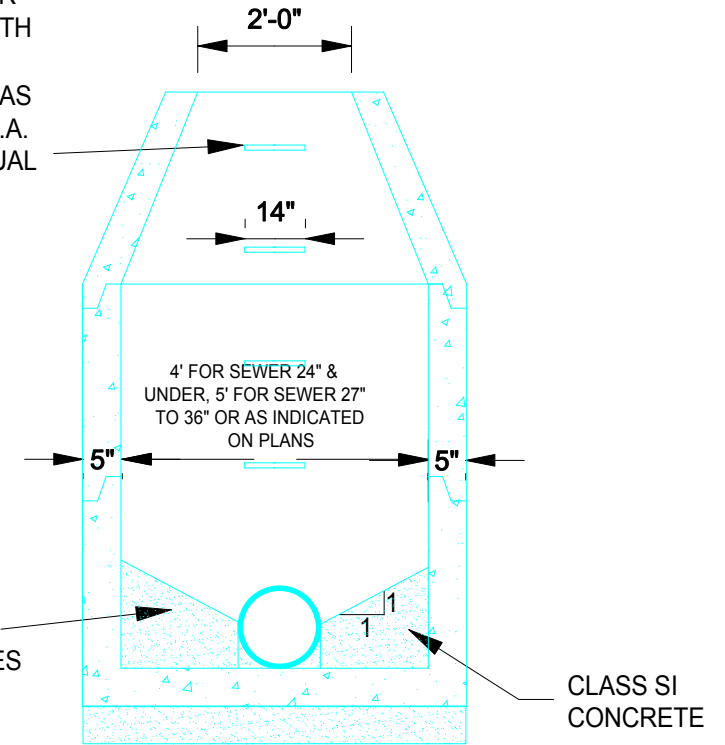
R-2"±

FLOW

PRECAST  
CONCRETE 6"  
BASE (TYP.)

4" CA-7  
BEDDING

NO SCALE



BENCH FOR  
ALL MANHOLES

CLASS SI  
CONCRETE

NOTE:

1. SANITARY MANHOLES SHALL HAVE WATERSTOP GASKETS CAST INTO STRUCTURES AT ALL PIPE PENETRATIONS. (SEE MANHOLE PIPE CONNECTION DETAIL)
2. SANITARY MANHOLES SHALL HAVE CRETEX INTERNAL CHIMNEY SEALS
3. SANITARY MANHOLES SHALL HAVE INTEGRAL BASES.
4. MANHOLE BARREL JOINTS SHALL BE TONGUE AND GROOVE TYPE WITH TWO ROWS OF EXTRUDIBLE PREFORMED PLASTIC GASKET MATERIAL (BUTYL ROPE).
5. MACWRAP EXTERNAL JOINT SEALING BANDS IN ACCORDANCE WITH ASTM C-877, OR APPROVED EQUIVALENT, MUST BE PROVIDED AT SANITARY MANHOLE JOINTS.
6. INTERIOR JOINTS SHALL BE "BUTTERED" WITH NON-SHRINK GROUT.
7. STORM MANHOLES SHALL HAVE A WALL THICKNESS OF 6" FOR 5' DIAMETER STRUCTURES AND 7" FOR 6' DIAMETER STRUCTURES
8. SANITARY MANHOLES SHALL PASS VACUUM-TESTING PER ASTM C-1244.
9. SEE CASTING INSTALLATION AND ADJUSTING DETAIL FOR CASTING REQUIREMENTS.



CITY OF OAK FOREST  
STANDARD DETAIL  
FOR  
MANHOLE TYPE A

DATE: NOV. 2018  
MISC\IMHA